



FREIGHTLINER OF AUSTIN

1701 Smith Rd. (Hwy. 183 So.)
Austin, Texas 78721

Bus: 512-389-0000
FAX: 512-389-2663
Wats: 1-800-395-2005

INV.

PURCHASING NAME NUECES COUNTY		TELEPHONE 361-888-0230	
ADDRESS 901 LEOPARD ST. RM103		CITY CORPUS CHRISTI	STATE TX
		ZIP CODE 78401	

I/We Hereby Purchase from You, Under the Terms and Conditions Specified, the Following:

YEAR 2020	MAKE FREIGHTLINER	MODEL/BODY M2106	VIN ORDER	LICENSE PLATE
---------------------	-----------------------------	----------------------------	---------------------	---------------

A documentary fee is not an official fee, a documentary fee is not required by law but may be charged to buyers for handling documents and performing services relating to the the closing of a sale. Buyers may avoid payment of the fee to the seller by handling the documents and performing the services relating to the closing of the sale. A documentary fee may not exceed \$50.00. This notice is required by law.

MILEAGE:	
	BUY BOARD CONTRACT # 521-16
	CHASSIS SELLING PRICE
	\$75,610.00
	PETERSEN TL3 LOADER, 2030 HARD OX BODY 20' 30 YD
	\$88,614.00

El cobro documental no es un cobro oficial. El cobro documental no es un requisito bajo la ley, pero se le puede cobrar. Al comprador por el rendimiento de los servicios relacionados con la completacion de la venta y por completar los documentos. El comprador puede evitar el pago al vendedor de este costo si el comprador mismo se encarga de mandejar los documentos y de los servicios necesarios para la completacion de la venta. El cobro documental no puede sobrepasar los \$50.00 (U.S.) Este aviso es requerido bajo la ley.

	BUY BOARD FEE	\$400.00

Disclaimer of Warranties

Any warranties on the products sold hereby are those made by the factory. The Seller, Freightliner of Austin, hereby expressly disclaims all warranties, either expressed or implied including any implied warranty of merchantability or fitness for a particular purpose, and Freightliner of Austin, neither assumes nor authorizes any other person to assume for it any liability in connection with the sale of this vehicle.

CUSTOMER SIGNATURE

SALESMAN SIGNATURE **KEVIN KRIEG**

CONTRACTUAL DISCLOSURE STATEMENT FOR USED VEHICLE ONLY. *The information you see on the window form for this vehicle is part of this contract. Information on the window form overrides any contrary provisions in the contract of sale. *

MILEAGE: TRADE-IN

YEAR	MAKE	MODEL/BODY	VIN	LICENSE PLATE
------	------	------------	-----	---------------

MILEAGE: TRADE-IN

YEAR	MAKE	MODEL/BODY	VIN	LICENSE PLATE
------	------	------------	-----	---------------

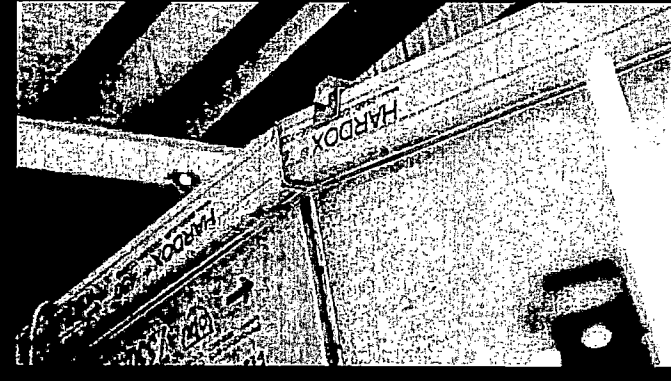
		TOTAL	164,624.00
PAYOFF TO:		Trade Allowance	
ADDRESS:		Trading Difference	N/A
TELEPHONE:	/ FAX:	Sales Tax	N/A
GOOD UNTIL:		Vehicle Inventory Tax	N/A
QUOTED BY:		License Fee	N/A
SHOW LIEN TO:		Documentary Fee	N/A
ADDRESS:		Federal Excise Tax	N/A
		State Insp.:	TOTAL SALE PRICE
			164,624.00
DATED:	LIEN AMOUNT \$	License:	Payoff on Trade
DRAFT FOR \$		Title:	Ext. Service Agreement
DRAFT THRU:		Transfer:	Less Deposit
ADDRESS:		Total Balance Due	164,624.00

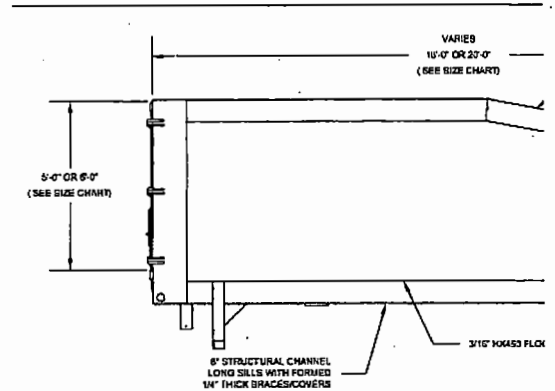
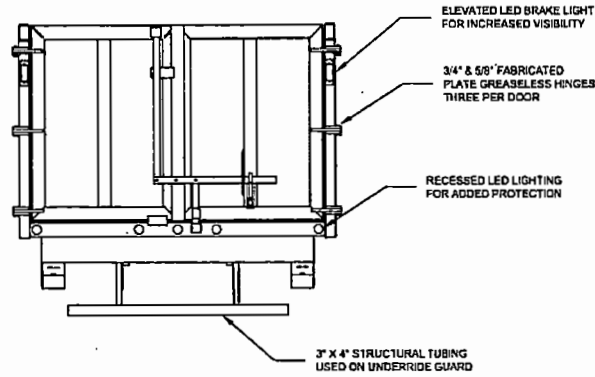
Full disclosure required by federal regulation 'Z', The Consumer Protection Act and The Texas Consumer Credit Code, will be made prior to consummation of a credit sale. This written order comprises the entire agreement pertaining to this purchase and no other agreement of any kind, verbal understanding or promise whatsoever, will be recognized. It is expressly agreed that the purchaser acquires no right, title or interest in or to the property which he agrees to purchase hereunder until such property is delivered to him/her and either the full price is paid in cash or satisfactory deferred payment agreement is executed by the parties hereto, the terms of which shall thereafter be controlling, and a clear title is furnished to dealer for the used cars or trucks involved, if any. THIS IS NOT A CONDITIONAL SALES CONTRACT, BUT IS A BUYER'S ORDER. All new vehicles carry the standard factory warranty. It is understood there is no guarantee on the above described new or used vehicle other than appears on this Buyer's Order. Mileage, if used vehicle model is not guaranteed and a verbal agreement by the Salesman will not be considered binding on the Seller. It is agreed that neither Freightliner of Austin nor the manufacturer will be

HARDOX®
IN MY BODY



HARDOX® BODY





*Always consult your local Petersen dealer for complete specifications and requirements.

HDX - HARDOX®

Body Floor	Single 3/16" Hardox HX450 Steel plate	Body Doors	1/8" Hardox HX450 skins, positive locking mechanism on top and bottom, 3 hinges per door
Cross Sills	None	Body Hoist	2.5-ton capacity minimum with dual hydraulic cylinders powered up and down
Long Sills	8" structural channel with 1/2" plate angled from bottom of 8" channel to bottom of floor plate	Body Lights	Meets federal lighting standards, includes elevated brake lights and LED body lights for increased visibility
Headboard	10 gauge steel continuously welded to the floor, welded loops on front to hold tools	Paint	High grade primer and enamel finish
Body Sides	1/8" Hardox HX450 Steel continuously welded to floor	Wiring	Wire loom or conduit (optional)
Side Posts	None		

AVAILABLE SIZES:

Model	Length (ft)	Volume (cu. yd.)	Side Height (ft)	Length Required cab-to-axle	Min GVWR
1824 HDX	18	24	5	168" C/A	33,000
1828 HDX	18	28	6	168" C/A	33,000
2026 HDX	20	26	5	186" C/A	35,000
2030 HDX	20	30	6	186" C/A	37,000

POPULAR OPTIONS:

- PI Self-Winding Load Cover
- Rear Strobe – Mounted on Underride
- Amber LED Flashers Mounted in Rear Corner Posts
- Underbody Work Lights
- Tool Box – Mounted under Body
- Single Door

TL-3 & DL-3 CHASSIS SPECIFICATIONS

Basic Requirements

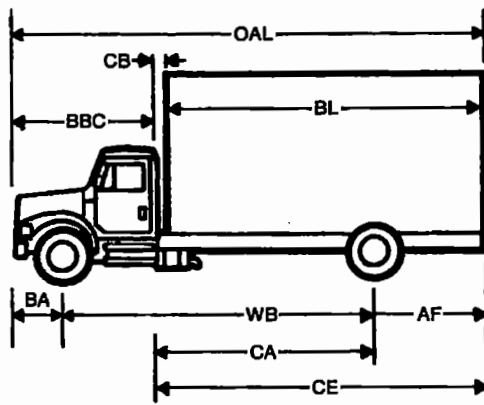
1. Exterior grab handles both sides
2. Horizontal exhaust with tailpipe extended at least 6ft past cab*
3. Provision for PTO
4. Exhaust system must allow room for PTO and pump installation
5. Body builder wiring package
6. Conventional cab†

* In cases where vertical exhaust is used, exhaust must be mounted on side of cab with heat shields. Behind cab vertical exhaust mounting is unacceptable.

† Although cab-over trucks can be used, they are not recommended. Cab overs are not compatible with top mount style controls. 40-45 cy bodies cannot be installed on cab over style trucks. The dimensions shown below assume a clear BOC. Cab overs do not have clear BOC, therefore any cab over requires special consideration by Petersen Industries and the below dimensions should not be used to layout a cab over chassis.

MINIMUM MEASUREMENTS

CHASSIS DIMENSIONS:



- AF — Axle to End of Frame
- BA — Bumper to Axle
- BBC — Bumper to Back of Cab
- BL — Body Length
- CA — Cab to Axle
- CB — Cab to Body
- CE — Cab to End of Frame
- FH — Frame Height
- OAL — Overall Length
- WB — Wheelbase

Model	RBM	GVWR	FRONT	REAR	CA	AF
1820TBS OR HDX	1,500,000	33,000 lb	12 K lb	21 K lb	168"	76"
1824TBS OR HDX	1,500,000	33,000 lb	12 K lb	21 K lb	168"	76"
1828TBS OR HDX	1,500,000	33,000 lb	12 K lb	21 K lb	168"	76"
2026TBS OR HDX	1,500,000	35,000 lb	12 K lb	23 K lb	186"	76"
2030TBS OR HDX	1,500,000	37,000 lb	12 K lb	25 K lb	186"	76"
1820TBH	1,500,000	33,000 lb	12 K lb	21 K lb	168"	76"
1824TBH	1,500,000	33,000 lb	12 K lb	21 K lb	168"	76"
1828TBH	1,500,000	33,000 lb	12 K lb	21 K lb	168"	76"
2026TBH	1,500,000	35,000 lb	12 K lb	23 K lb	186"	76"
2030TBH	1,500,000	37,000 lb	12 K lb	25 K lb	186"	76"
2240TBH	2,500,000	56,000 lb	16 K lb	40 K lb	192"	120"
2245TBH	2,500,000	56,000 lb	16 K lb	40 K lb	192"	120"