



lighting > electrical > energy
technology > signs

September 18, 2016

Nueces County Coastal Parks
15820 Park Rd 22
Corpus Christi, TX 78418

Reference: Bob Hall Pier Lighting & Electrical Upgrade

Jim,

Per site survey FSG proposes the following at a quoted price of \$94,600

- Remove all existing pole lights along the pier.
- Provide and install (11) new 20' Aluminum poles to spec
- Provide and install (2) new 35' Aluminum poles to spec.
- Each 20' pole will have a new 183 Watt LED fixture
- Each 35' pole will be equipped with a 4-light aluminum bullhorn and (4) 183 watt LED fixtures.
- We will abandon all existing anchor bolts due to wear, tear and corrosion and will torch down to grade.
- We will provide and install new stainless steel anchor bolts and will epoxy into the existing concrete.
- Replace existing panel and entrance of pier and downsize to a 12 circuit panel with main.
- Panel will be enclosed with new stainless steel enclosure and will also replace existing contactor with new.
- We will run new wire out of panel down the length of pier
- Three circuits will be split up... (2) 480 volt circuits and one 277 volt circuit to control sections of the pier lights as specified.

*****Unit bid is for Bob Hall Pier only. Horace Caldwell pier will be a duplicate bid of \$94,600. If both locations are awarded FSG can do both at a discounted price of \$185,416*****

All work will be done in a neat craftsman like manner in accordance to all NEC requirements. Bid includes new LED fixtures, Aluminum poles, anchors, lifts, wire, stainless steel enclosure, panel, contactor, misc. conduit, fittings, couplings, etc....Please allow 4-6 weeks for all material to ship.

Sincerely,
Peter Cardona



FEATURES & SPECIFICATIONS

INTENDED USE — Round tapered aluminum general purpose pole for up to 50 foot mounting heights.
CONSTRUCTION — Spun-tapered seamless 6063 alloy aluminum tubing, heat-treated to produce a T6 temper. Circumferential satin-brushed finish. The shaft is cone-tapered to the butt diameter.

Anchor base: Cast from A356 alloy aluminum, the anchor base is heat-treated to a T6 condition. The anchor base telescopes the pole shaft and is circumferentially welded top and bottom. The anchor bases is provided with slotted holes.

Hand hole: A nominal 3" x 5" or 4" x 6" reinforced flush-covered handhole is centered 18" above the base.
Hardware: Stainless steel.

Top cap: Removable top cap provided with drill-mount poles.

Bolt covers: A356 nut covers are included with anchor base unless otherwise specified. 3RTA poles include spun aluminum base cover.

Finish: Must specify finish.

Grounding: Provision located inside hand hole rim. Grounding hardware is not included (provided by others).

Anchor bolts: Made of steel rod having a minimum yield strength of 55,000 psi. Top portion of anchor bolt is galvanized per ASTM A-153. Each anchor bolt is furnished with two hex nuts and two flat washers.

Note: Specifications subject to change without notice.

Actual performance may differ as a result of end-user environment and application.

| | |
|----------------|---------------------------|
| Catalog Number | RTA206GT20L/AB VDDNA |
| Notes | 20'Round Tapered AL. pole |
| Type | A3 |



Anchor Base Poles

RTA/3RTA

ROUND TAPERED ALUMINUM
3-BOLT ROUND TAPERED ALUMINUM

ORDERING INFORMATION Lead times will vary depending on options selected. Consult with your sales representative. **Example:** RTA 25 6E DM19 BA

| RTA Series | Nominal fixture mounting height | Nominal shaft base size/wall thickness | Mounting ¹ | Options | Finish ¹² |
|-------------|----------------------------------|--|--|---|--|
| RTA 3RTA | 20 – 50 feet (See back page.) | (See back page.) | Tenon mounting PT Open top T20 2-3/8" O.D. (2" NPS) T25 2-7/8" O.D. (2-1/2" NPS) T30 3-1/2" O.D. (3" NPS) ² T35 4" O.D. (3-1/2" NPS) ^{2,3} Drill mounting^{4,9} DM19 1 at 90° DM28 2 at 180° DM28PL 2 at 180° with one side plugged DM29 2 at 90° DM32 2 at 120° DM39 3 at 90° DM49 4 at 90° CSX/DSX/AERIS™/OMERO™ Drill mounting⁴ DM19AS 1 at 90° DM28AS 2 at 180° DM29AS 2 at 90° DM32AS 3 at 120° DM39AS 3 at 90° DM49AS 4 at 90° AERIS™ Suspend drill mounting^{4,8} DMxxAST_ OMERO™ Suspend drill mounting^{4,8} DMxxMRT_ | Shipped installed L/AB Less anchor bolts FBC Full base cover VD Vibration damper TP Tamper proof H1-18Axx Horizontal arm bracket (1 fixture) ^{5,6} FDLxx Festoon outlet less electrical ⁵ CPL12xx 1/2" coupling ⁵ CPL34xx 3/4" coupling ⁵ CPL1xx 1" coupling ⁵ NPL12xx 1/2" threaded nipple ⁵ NPL34xx 3/4" threaded nipple ⁵ NPL1xx 1" threaded nipple ⁵ EHHxx Extra handhole ^{5,7} MAEX Match existing ¹⁰ USPOM United States point of manufacture ¹¹ | Standard colors DDB Dark bronze DWH White DBL Black DMB Medium bronze DNA Natural aluminum BA Brushed aluminum Classic colors DSS Sandstone DGC Charcoal gray DTG Tennis green DBR Bright red DSB Steel blue Class 1 architectural anodized ABL Black ADB Dark bronze ANA Natural Architectural colors (powder finish)¹² |

NOTES:

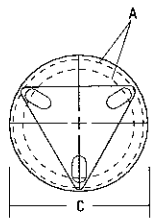
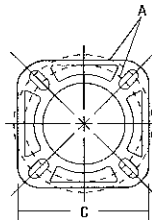
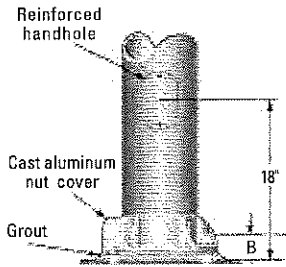
- When ordering tenon mounting and drill mounting for the same pole, follow this example: DM28/T20. The combination includes a required extra handhole.
- N/A with 4C, 5C, 5E and 5G because pole top is too small.
- N/A with 6E, 6G and 7E because pole top is too small.
- The drilling template to be used for a particular luminaire depends on the luminaire that is used. Refer to the Technical Data Section on www.lithonia.com for Drilling Templates.
- Specify location and orientation when ordering option. For 1st x specify the height in feet above base of pole. Example: 5ft = 5 and 20ft = 20. For 2nd x, specify orientation from handhole (A,B,C,D) Refer to the Handhole Orientation diagram on page 577 in PS69.
- Horizontal arm is 18" x 2-3/8" O.D. standard.
- Combination of tenon-top and drill mount includes extra handhole.
- Insert "1" or "2" to designate fixture size; e.g. DM19AST2.
- First drilling on 3RTA poles is located directly above anchor bolt axis.
- Must add original order number.
- Use when mill certifications are required.
- Finish must be specified. Additional colors available; see www.lithonia.com/archcolors or Architectural Colors brochure (Form No. 794.3).

IMPORTANT INSTALLATION NOTES:

- Do not erect poles without having fixtures installed.
- Factory-supplied templates must be used when setting anchor bolts. Lithonia will not accept claim for incorrect anchorage placement due to failure to use factory template.
- If poles are stored outside, all protective wrapping must be removed immediately upon delivery to prevent finish damage.
- Lithonia Lighting is not responsible for the foundation design.

RTA Round Tapered Aluminum Poles

| TECHNICAL INFORMATION | | | | | | | | | | |
|-----------------------|----------------------------|--|-----------------|--------------------------------------|--------|---------|-------------|-------------------|-----------------------------|----------------------------------|
| Catalog Number | Nominal shaft length (ft.) | Wall pole shaft size (in. x in. x ft.) | Thickness (in.) | EPA (ft ²) with 1.3 gust | | | Max. weight | Bolt circle (in.) | Bolt size (in. x in. x in.) | Approximate ship weight (pounds) |
| | | | | 80 mph | 90 mph | 100 mph | | | | |
| RTA 20 5C | 20 | 5 x 3 x 19.66 | 0.125 | 3.9 | 2.5 | 1.6 | 100 | 7.5-9.5 | .75 x 18 x 3 | 62 |
| RTA 20 5G | 20 | 5 x 3 x 19.66 | 0.188 | 7.4 | 5.2 | 3.8 | 100 | 7.5-9.5 | .75 x 18 x 3 | 72 |
| RTA 20 6G | 20 | 6 x 4 x 19.66 | 0.188 | 12.2 | 9.2 | 7.2 | 214 | 9-10 | .75 x 30 x 3 | 107 |
| RTA 20 7E | 20 | 7 x 4 x 19.66 | 0.156 | 15.0 | 11.4 | 9.0 | 256 | 9.875-11.25 | 1 x 36 x 4 | 103 |
| RTA 25 6E | 25 | 6 x 4 x 24.66 | 0.156 | 5.3 | 3.6 | 2.6 | 174 | 9-10 | .75 x 30 x 3 | 106 |
| RTA 25 7E | 25 | 7 x 4 x 24.66 | 0.156 | 9.5 | 7.0 | 5.4 | 162 | 9.875-11.25 | 1 x 36 x 4 | 120 |
| RTA 25 8E | 25 | 8 x 4.5 x 24.66 | 0.156 | 14.2 | 10.9 | 8.5 | 220 | 11-12 | 1 x 36 x 4 | 130 |
| RTA 25 8G | 25 | 8 x 4.5 x 24.66 | 0.188 | 18.0 | 13.8 | 10.9 | 261 | 11-12 | 1 x 36 x 4 | 153 |
| RTA 30 7E | 30 | 7 x 4 x 29.66 | 0.156 | 5.5 | 3.8 | 2.7 | 111 | 9.875-11.25 | 1 x 36 x 4 | 135 |
| RTA 30 8E | 30 | 8 x 4.5 x 29.66 | 0.156 | 9.4 | 7.0 | 5.3 | 151 | 11-12 | 1 x 36 x 4 | 150 |
| RTA 30 8G | 30 | 8 x 4.5 x 29.66 | 0.188 | 12.4 | 9.4 | 7.3 | 179 | 11-12 | 1 x 36 x 4 | 175 |
| RTA 30 10G | 30 | 10 x 6 x 29.66 | 0.188 | 23.8 | 18.3 | 14.3 | 377 | 14-15 | 1 x 40 x 4 | 235 |
| RTA 35 8E | 35 | 8 x 4.5 x 34.66 | 0.156 | 5.8 | 4.1 | 2.9 | 119 | 11-12 | 1 x 36 x 4 | 185 |
| RTA 35 8G | 35 | 8 x 4.5 x 34.66 | 0.188 | 8.3 | 6.0 | 4.5 | 141 | 11-12 | 1 x 36 x 4 | 220 |
| RTA 35 8J | 35 | 8 x 4.5 x 34.66 | 0.250 | 12.9 | 9.7 | 7.5 | 183 | 11-12 | 1 x 36 x 4 | 251 |
| RTA 35 10G | 35 | 10 x 6 x 34.66 | 0.188 | 17.9 | 13.6 | 10.4 | 295 | 14-15 | 1 x 40 x 4 | 268 |
| RTA 39 8G | 39 | 8 x 4.5 x 38.66 | 0.188 | 5.6 | 3.9 | 2.7 | 122 | 11-12 | 1 x 36 x 4 | 250 |
| RTA 39 8J | 39 | 8 x 4.5 x 38.66 | 0.250 | 9.7 | 7.1 | 5.4 | 158 | 11-12 | 1 x 36 x 4 | 280 |
| RTA 39 10G | 39 | 10 x 6 x 38.66 | 0.188 | 14.2 | 10.5 | 7.8 | 253 | 14-15 | 1 x 40 x 4 | 295 |
| RTA 39 10J | 39 | 10 x 6 x 38.66 | 0.250 | 20.4 | 15.5 | 11.9 | 300 | 14-15 | 1.25 x 48 x 5 | 373 |
| RTA 50 10J | 50 | 10 x 6 x 49.66 | 0.250 | 12.5 | 9.1 | 6.5 | 300 | 14-15 | 1.25 x 48 x 5 | 447 |
| 3RTA 8 4C | 8 | 4 x 3 x 8 | 0.125 | 12.1 | 9.3 | 7.3 | 75 | 6.5-7.25 | .75 x 18 x 3 | 23 |
| 3RTA 10 4C | 10 | 4 x 3 x 10 | 0.125 | 8.8 | 6.7 | 5.2 | 75 | 6.5-7.25 | .75 x 18 x 3 | 27 |
| 3RTA 12 4C | 12 | 4 x 3 x 12 | 0.125 | 6.6 | 4.8 | 3.6 | 75 | 6.5-7.25 | .75 x 18 x 3 | 31 |
| 3RTA 14 4C | 14 | 4 x 3 x 14 | 0.125 | 4.9 | 3.4 | 2.4 | 75 | 6.5-7.25 | .75 x 18 x 3 | 34 |
| 3RTA 16 4C | 16 | 4 x 3 x 16 | 0.125 | 3.5 | 2.3 | 1.5 | 75 | 6.5-7.25 | .75 x 18 x 3 | 38 |
| 3RTA 16 5C | 16 | 5 x 3 x 16 | 0.125 | 6.9 | 5.0 | 3.8 | 75 | 7.5-8.5 | .75 x 18 x 3 | 43 |
| 3RTA 18 5C | 18 | 5 x 3 x 18 | 0.125 | 5.0 | 3.5 | 2.5 | 150 | 7.5-8.5 | .75 x 18 x 3 | 47 |
| 3RTA 18 5E | 18 | 5 x 3 x 18 | 0.156 | 7.0 | 5.0 | 3.7 | 150 | 7.5-8.5 | .75 x 18 x 3 | 57 |
| 3RTA 20 5C | 20 | 5 x 3 x 20 | 0.125 | 3.8 | 2.5 | 1.6 | 150 | 7.5-8.5 | .75 x 18 x 3 | 50 |
| 3RTA 20 5E | 20 | 5 x 3 x 20 | 0.156 | 5.5 | 3.8 | 2.6 | 150 | 7.5-8.5 | .75 x 18 x 3 | 62 |



IMPORTANT:
These specifications are intended for general purposes only. Lithonia reserves the right to change material or design, without prior notice, in a continuing effort to upgrade its products.

| Pole Data | | | | | | |
|-------------|-----------------|---------------|-------------------|---------------|--------------------|-------------------------|
| | Shaft base size | Bolt circle A | Bolt projection B | Base square C | Template number | Anchor bolt description |
| 4-Bolt Base | 5" | 7.50"-9.50" | 3.25" | 9.25" | ABTEMPLATE PJ50032 | AB18-0 |
| | 6" | 9"-10" | 3.50" | 10" | ABTEMPLATE PJ50033 | AB30-0 |
| | 7" | 9.875"-11.25" | 4.125" | 10.50" | ABTEMPLATE PJ50034 | AB36-0 |
| | 8" | 11-12" | 4.25" | 11.50" | ABTEMPLATE PJ50035 | AB36-0 |
| | 10"G | 14"-15" | 4.50" | 14.50" | ABTEMPLATE PJ50036 | AB40-0 |
| 3-Bolt Base | 10"J | 14"-15" | 5.00" | 14.50" | ABTEMPLATE PJ50063 | AB48-0 |
| | 4" | 6.50"-7.25" | 3.25" | 8.875" | ABTEMPLATE PJ50128 | AB18-0 |
| | 5" | 7.50"-8.50" | 3.25" | 10.25" | ABTEMPLATE PJ50129 | AB18-0 |



POLE-RTA-3RTA



FEATURES & SPECIFICATIONS

INTENDED USE

For aluminum or fiberglass poles.

CONSTRUCTION

Aluminum: Body is aluminum tube constructed from 6063-T6 alloy. Welding follows industry standards best practices. Bullhorns are heat-treated to T-6 temper after welding.

Finish must be specified. Optional polyester powder paint finishes available.

INSTALLATION

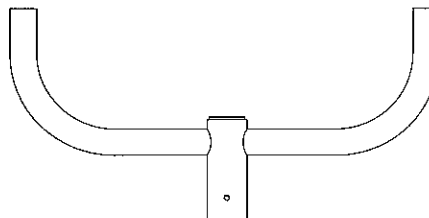
Mounting hardware included.

| | | | |
|----------------------------|--|----------|--|
| Catalog Number | | RBA49DNA | |
| Notes | | Type | |
| 4-LIGHT ALUMINUM BULL HORN | | A4 | |

Round Bullhorn

RBA

ALUMINUM (RBA) ROUND BULLHORN



(See next page for dimensions and drawings.)

ORDERING INFORMATION

Lead times will vary depending on options selected. Consult with your sales representative.

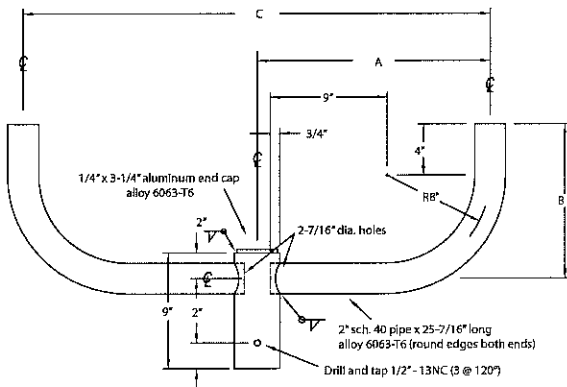
Example: RBA28 DDB

| Series | Tenon slipfitter size ¹ | Finish ² |
|---------------------|------------------------------------|--|
| RBA28 Two in line | (blank) 3-1/16" I.D. | <u>Standard colors</u> DDB Dark bronze DWH White DBL Black DMB Medium bronze DNA Natural aluminum SA Satin aluminum <u>Classic colors</u> DSS Sandstone DGC Charcoal gray DTG Tennis green DBR Bright red DSB Steel blue <u>Class 1 architectural anodized</u> ABL Black ADB Dark bronze ANA Natural aluminum <u>Architectural colors (powder finish)²</u> |
| RBA32 Three at 120° | T35 4-1/4" I.D. | |
| RBA38 Three in line | | |
| RBA48 Four in line | | |
| RBA49 Four at 90° | | |

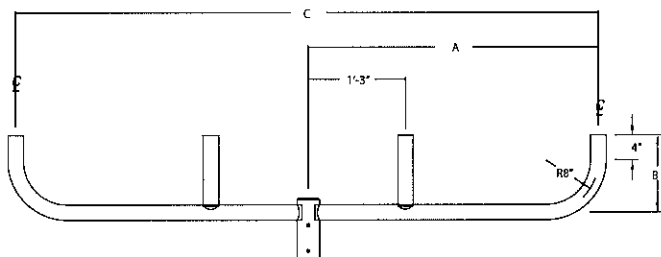
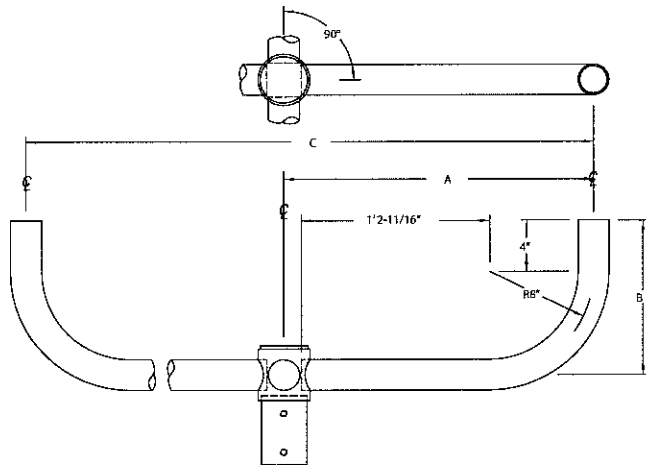
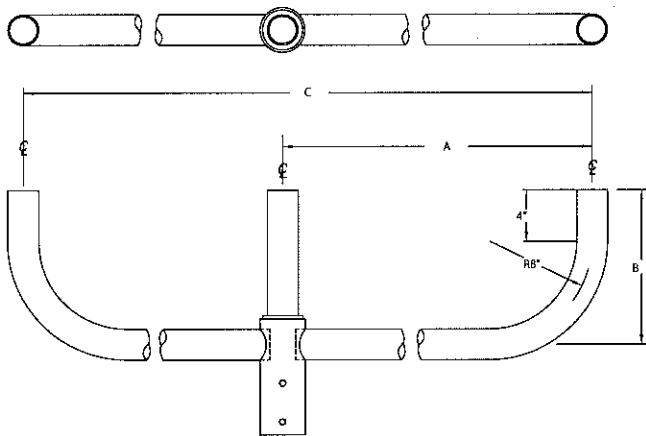
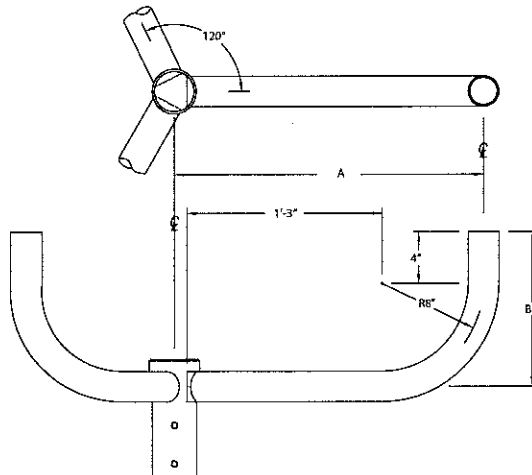
NOTES:

- 1 Custom sizes available; consult factory.
- 2 Finish must be specified. Additional colors available; see www.lithonia.com/archcolors or the Architectural Colors brochure (Form No. 794.3).

RBA Bullhorn Aluminum or Fiberglass Poles



Furnish: 1/2" - 13NC x 1/2" long stainless steel socket type, cup point set screws



IMPORTANT:

- These specifications are intended for general purposes only. Lithonia Lighting reserves the right to change material or design, without prior notice, in a continuing effort to upgrade its products.

RBA (Round Bullhorn - Aluminum)

| Lithonia Lighting Catalog Number | Nominal Arm Length (feet) | Dimensions (inches) | | | Bracket EPA (ft ²) | Bracket weight (lbs.) | Max. fixture EPA ft ² @ 100 mph w/1.3 gusts | Max. weight (lbs.) per fixture | ANSI C136.3 (1995) class rating @ 80 mph |
|----------------------------------|---------------------------|---------------------|----|----|--------------------------------|-----------------------|--|--------------------------------|--|
| | | A | B | C | | | | | |
| RBA28 | 1-1/2 | 18 | 12 | 36 | 1.3 | 8.4 | 5.3 | 100 | - |
| RBA32 | 2 | 24 | 12 | 42 | 1.7 | 14.3 | 4.8 | 100 | - |
| RBA38 | 2-1/2 | 30 | 12 | 60 | 2.0 | 11.9 | 4.1 | 100 | - |
| RBA48 | 4 | 45 | 12 | 90 | 2.8 | 16.2 | 2.0 | 75 | - |
| RBA49 | 2 | 24 | 12 | 48 | 2.2 | 17.5 | 4.8 | 100 | - |

CAUTION:

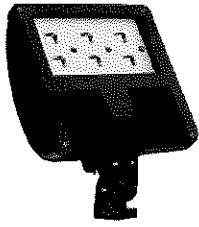
- The arms described herein are designed for applications in areas of normal winds. Consult the factory prior to the design of systems to be mounted on structures such as bridges or buildings, or areas known to have abnormal winds such as airports or coastal areas. Failure to consider these factors in the system design could result in the failure of the pole or mast arm, and consequently personal injury or property damage.



An AcuityBrands Company

Lithonia Lighting
Outdoor

One Lithonia Way, Conyers, GA 30012
Phone: 770-922-9000 Fax: 770-918-1209
www.lithonia.com



D-Series Size 3 LED Flood Luminaire



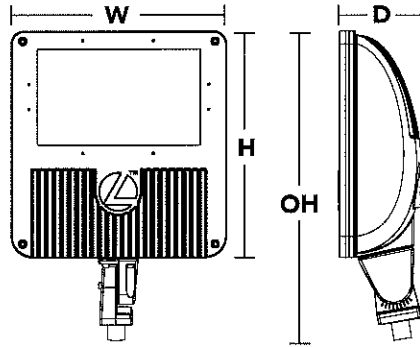
d³series

| | |
|----------------|---------------------------|
| Catalog Number | DSXF3LED6P250KWFLMVOLTISI |
| Notes | WIDE FLOOD LED |
| Type | A1 |

For the latest price and availability, visit www.lithonia.com.

Specifications

| | |
|------------------------|---|
| EPA: | 1.4 ft ² (0.13 m ²) |
| Depth: | 5" (12.7 cm) |
| Width: | 13" (33.0 cm) |
| Height: | 13-5/8" (34.6 cm) |
| Overall Height: | 17-1/2" (44.5 cm) |
| Weight: | 21 lbs (9.5 kg) |



Introduction

The D-Series Size 3 Flood features precision optics to beautifully illuminate a variety of applications as its sleek, compact styling blends seamlessly with its environment.

The D-Series Flood reflector systems and cutting-edge chip-on-board LED technology produce low field-to-beam ratios for minimal spill light and incredible photometric performance. It's the ideal long-life replacement for 250 - 400W metal halide floods, with typical energy savings of 64% and expected service life of over 100,000 hours.

Ordering Information

EXAMPLE: DSXF3 LED 6 P2 40K FL MVOLT THK DDBXD

| DSXF3 LED | | | | | | | | | | | |
|-----------|-------------------|---------------------|-------------------|--------------|--------------|-----|-------------------------|--------------------|------------------|---|--|
| Series | Light Engines | Performance Package | Color Temperature | Distribution | | | Voltage | | Mounting | | |
| DSXF3 LED | 6 Six COB engines | P1 P2 | 30K 3000 K | NSP | Narrow spot | WFL | Wide flood | MVOLT ¹ | 277 ¹ | Shipped included THK Knuckle with 3/4" NPT threaded pipe YKC62 Yoke with 16-3 SO cord IS Integral slipfitter (fits 2-3/8" O.D. tenon) | Shipped separately² FTS CG6 Tenon slipfitter (fits 2-3/8" to 2-7/8" O.D. tenon. YKC62 required) |
| | | | 40K 4000 K | MSP | Medium spot | WFR | Wide flood, rectangular | 120 ¹ | 347 | | |
| | | | 50K 5000 K | MFL | Medium flood | HMF | Horizontal medium flood | 208 ¹ | 480 | | |
| | | | | FL | Flood | | | 240 ¹ | | | |

| Options | | | | | | | | | | Finish (required) | |
|---------------------------------------|--|--|--|--|--|--|--|--|--|------------------------|--|
| Shipped installed | | | | | | | | | | DDBXD Dark bronze | |
| PER | NEMA twist-lock receptacle only (no controls) ³ | | | | | | | | | DBLXD Black | |
| PER5 | Five-wire receptacle only (no controls) ^{3,4} | | | | | | | | | DNAXD Natural aluminum | |
| DMG | 0-10V dimming driver (no controls) | | | | | | | | | DWHXD White | |
| SF | Single fuse (120, 277, 347V) ⁵ | | | | | | | | | | |
| DF | Double fuse (208, 240, 480V) ⁵ | | | | | | | | | | |
| WTB | Utility terminal block | | | | | | | | | | |
| Shipped installed | | | | | | | | | | | |
| PNMTDD3 | Part night, dim till dawn ⁶ | | | | | | | | | | |
| PNMTSD3 | Part night, dim 5 hrs. ⁶ | | | | | | | | | | |
| PNMT6D3 | Part night, dim 6 hrs. ⁶ | | | | | | | | | | |
| PNMT7D3 | Part night, dim 7 hrs. ⁶ | | | | | | | | | | |
| BL30 | BI-level switched dimming, 30% ⁷ | | | | | | | | | | |
| BL50 | BI-level switched dimming, 50% ⁷ | | | | | | | | | | |
| Shipped separately⁸ | | | | | | | | | | | |
| UBV | Upper/bottom visor (universal) | | | | | | | | | | |
| FV | Full visor | | | | | | | | | | |
| VG | Vandal guard | | | | | | | | | | |
| WVG | Wire guard | | | | | | | | | | |

Accessories

Ordered and shipped separately.

| | |
|------------------|---|
| FTS CG6 DDBXD U | Slipfitter for 2-3/8" to 2-7/8" O.D. tenons; mates with yoke mount (specify finish) |
| FRWB DDBXD U | Radius wall bracket, 2-3/8" O.D. tenon (specify finish) |
| FSPB DDBXD U | Steel square pole bracket, 2-3/8" O.D. tenon (specify finish) |
| DSXF3UBV DDBXD U | Upper/bottom visor accessory (specify finish) |
| DSXF3FV DDBXD U | Full visor accessory (specify finish) |
| DSXF3VG U | Vandal guard accessory |
| DSXF3WVG DDBXD U | Wire guard accessory |
| DLL127F1.5JU | Photocell - SSL twist-lock (120-277V) ⁹ |
| DLL347F1.5CULJU | Photocell - SSL twist-lock (347V) ⁹ |
| DLL480F1.5CULJU | Photocell - SSL twist-lock (480V) ⁹ |
| DSHORT SBK U | Shorting cap ⁹ |

NOTES

- MVOLT driver operates on any line voltage from 120-277V. Specify 120, 208, 240 or 277 options only when ordering with fusing (SF, DF options).
- Must be ordered as an accessory; see Accessories information at left.
- For units with a photocontrol receptacle, the mounting must be restricted to ± 45° from horizontal aim per ANSI C136.10-2010.
- Specifies a ROAM® enabled luminaire with 0-10V dimming capability; PER5 option required. Additional hardware and services required for ROAM® deployment; must be purchased separately. Call 1-800-442-6745 or email: sales@roamservices.net.
- Single fuse (SF) requires 120, 277 or 347 voltage option. Double fuse (DF) requires 208, 240 or 480 voltage option.
- Dimming driver standard. MVOLT only. Not available with 347V, 480V, PER5, BL30 or BL50.
- Requires an additional switched circuit. Dimming driver standard. MVOLT only. Not available with 347V, 480V, or PER5.
- Also available as separate accessories; see Accessories information at left.
- Requires luminaire to be specified with PER option. Must be ordered and shipped as a separate line item from Acuity Controls.

For more mounting options, visit our [Floodlighting Accessories](#) pages.
For more control options, visit [DLI](#) and [ROAM](#) online.



One Lithonia Way • Conyers, Georgia 30012 • Phone: 800.279.8041 • Fax: 770.918.1209 • www.lithonia.com
© 2011-2016 Acuity Brands Lighting, Inc. All rights reserved.

DSXF3-LED
Rev. 08/09/16
Page 1 of 3

Performance Data

Lumen Output

Lumen values are from photometric tests performed in accordance with IESNA LM-79-08. Data is considered to be representative of the configurations shown, within the tolerances allowed by Lighting Facts. Contact factory for performance data on any configurations not shown here.

| Light Engines | Performance Package | System Watts | Dist. Type | Field Angle | | | | 30K (3000 K, 70 CRI) | | | 40K (4000 K, 70 CRI) | | | 50K (5000 K, 70 CRI) | | | |
|---------------|---------------------|--------------|------------|-------------|-----|-----|----|----------------------|--------|-------|----------------------|--------|-------|----------------------|--------|-------|-----|
| | | | | H | | V | | Max Cd | Lumens | LPW | Max Cd | Lumens | LPW | Max Cd | Lumens | LPW | |
| | | | | H | V | H | V | | | | | | | | | | |
| 6 | P1 | 129 | NSP | 38 | 35 | 18 | 18 | 84476 | 13510 | 105 | 88800 | 14201 | 110 | 88800 | 14201 | 110 | |
| | | | | MSP | 53 | 52 | 27 | 27 | 49237 | 12774 | 99 | 51757 | 13428 | 104 | 51757 | 13428 | 104 |
| | | | | MFL | 59 | 59 | 45 | 45 | 22746 | 12986 | 101 | 23911 | 13650 | 106 | 23911 | 13650 | 106 |
| | | | | FL | 84 | 90 | 61 | 71 | 11638 | 13952 | 108 | 12255 | 14666 | 114 | 12255 | 14666 | 114 |
| | | | | WFL | 104 | 105 | 73 | 76 | 9435 | 14454 | 112 | 9918 | 15194 | 118 | 9918 | 15194 | 118 |
| | | | | WFR | 104 | 91 | 80 | 72 | 9546 | 14377 | 111 | 10035 | 15113 | 117 | 10035 | 15113 | 117 |
| | P2 | 183 | NSP | 38 | 35 | 18 | 18 | 105595 | 16887 | 92 | 111000 | 17751 | 97 | 111000 | 17751 | 97 | |
| | | | | MSP | 53 | 52 | 27 | 27 | 61546 | 15968 | 87 | 64696 | 16785 | 92 | 64696 | 16785 | 92 |
| | | | | MFL | 59 | 59 | 45 | 45 | 28433 | 16232 | 89 | 29888 | 17063 | 93 | 29888 | 17063 | 93 |
| | | | | FL | 84 | 90 | 61 | 71 | 14573 | 17440 | 95 | 15319 | 18333 | 100 | 15319 | 18333 | 100 |
| | | | | WFL | 104 | 105 | 73 | 76 | 11794 | 18067 | 99 | 12397 | 18992 | 104 | 12397 | 18992 | 104 |
| | | | | WFR | 104 | 91 | 80 | 72 | 11933 | 17972 | 98 | 12543 | 18891 | 103 | 12543 | 18891 | 103 |
| | HMF | | | 121 | 67 | 94 | 55 | 13069 | 16548 | 90 | 13738 | 17395 | 95 | 13738 | 17395 | 95 | |

Lumen Ambient Temperature (LAT) Multipliers

Use these factors to determine relative lumen output for average ambient temperatures from 0-35°C (32-95°F).

| Ambient | | Lumen Multiplier |
|---------|------|------------------|
| 0°C | 32°F | 1.08 |
| 0°C | 50°F | 1.05 |
| 20°C | 68°F | 1.02 |
| 25°C | 77°F | 1.00 |
| 30°C | 86°F | 0.98 |
| 35°C | 95°F | 0.96 |

Projected LED Lumen Maintenance

Data references the extrapolated performance projections for the DSXF3 LED 6 P2 platform based on 13,000 hours of LED testing (tested per IESNA LM-80-08 and projected per IESNA TM-21-11).

To calculate LLF, use the lumen maintenance factor that corresponds to the desired number of operating hours below. For other lumen maintenance values, contact factory.

| Operating Hours | 0 | 25,000 | 50,000 | 100,000 |
|--------------------------|-----|--------|--------|---------|
| Lumen Maintenance Factor | 1.0 | 0.97 | 0.97 | 0.96 |

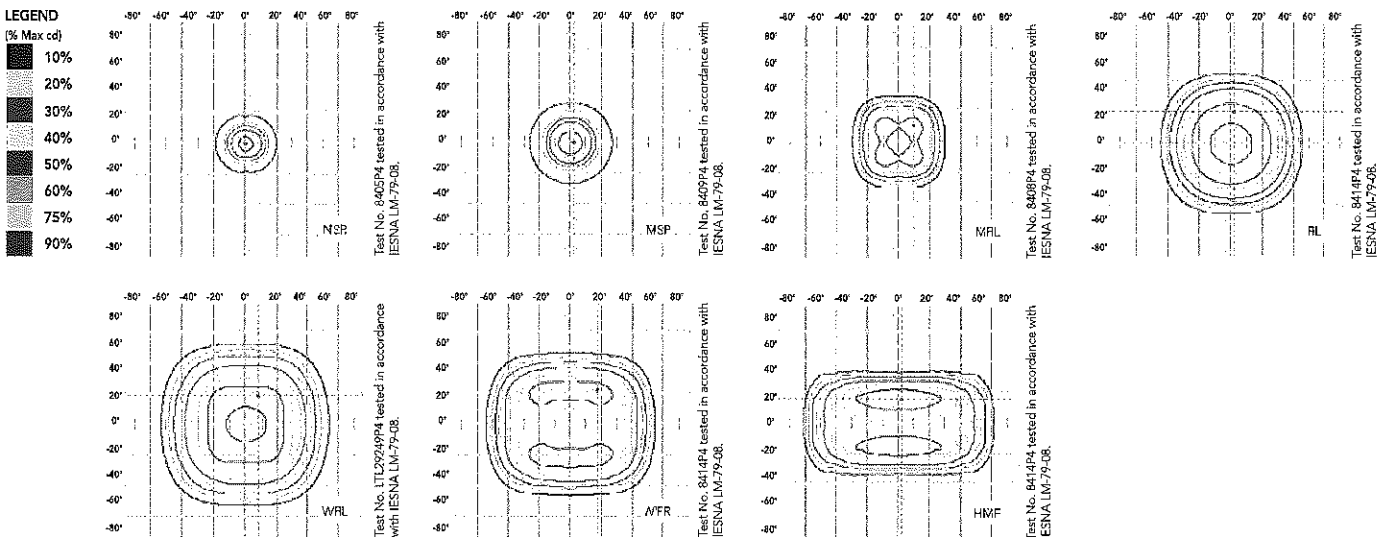
Electrical Load

| Performance Package | System Watts | Current (A) | | | | | |
|---------------------|--------------|-------------|------|------|------|------|------|
| | | 120V | 208V | 240V | 277V | 347V | 480V |
| P1 | 129 | 1.08 | 0.62 | 0.54 | 0.47 | 0.38 | 0.29 |
| P2 | 183 | 1.54 | 0.87 | 0.75 | 0.65 | 0.53 | 0.40 |

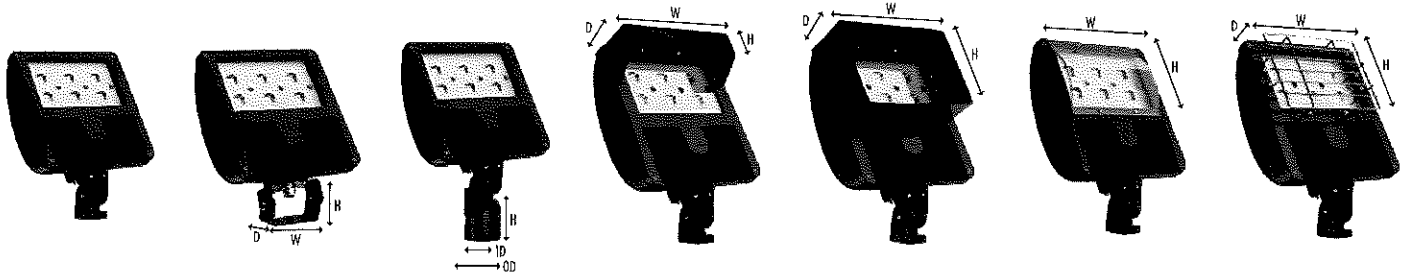
Photometric Diagrams

To see complete photometric reports or download .ies files for this product, visit Lithonia Lighting's D-Series Flood Size 3 homepage.

Iscandala plots for the DSXF3 LED 6 P2 40K. Distances are in units of mount height (20ft).



Mounting, Options and Accessories



**THK - Knuckle with
3/4" NPT
threaded pipe**

YKC62 - Yoke with SO cord
W= 5" (12.7 cm)
H= 3-1/2" (8.8 cm)
D= 2" (5.0 cm)

IS - Integral slipfitter
H= 4-1/2" (11.4 cm)
ID= 2-3/8" (6.0 cm)
OD= 3-1/2" (8.8 cm)

UBV - Upper/bottom visor
W= 12" (30.4 cm)
H= 7-1/5" (19.0 cm)
D= 3" (7.6 cm)

FV - Full visor
W= 12" (30.4 cm)
H= 7-1/5" (19.0 cm)
D= 3" (7.6 cm)

VG - Vandal guard
W= 10-1/2" (26.6 cm)
H= 7-1/2" (19.0 cm)

WG - Wire guard
W= 10-1/2" (26.6 cm)
H= 7-1/2" (19.0 cm)
D= 1-1/5" (3.8 cm)

FEATURES & SPECIFICATIONS

INTENDED USE

The sleek design of the D-Series Size 3 Flood reflects the embedded high performance LED technology. It is ideal for wallwash, security and general area lighting in many commercial and institutional applications.

CONSTRUCTION

Die-cast aluminum housing has integral heat sink fins to optimize thermal management through conductive and convective cooling. The LED driver is mounted in direct contact with the casting to promote low operating temperature and long life. Housing is completely sealed against moisture and environmental contaminants (IP66). Low EPA (1.4 ft²) for optimized wind loading.

FINISH

Exterior parts are protected by a zinc-infused Super Durable TGIC thermoset powder coat finish that provides superior resistance to corrosion and weathering. A tightly controlled multi-stage process ensures a minimum 3 mils thickness for a finish that can withstand extreme climate changes without cracking or peeling.

OPTICS

A variety of precision-molded vacuum-metallized specular reflectors are engineered for superior field-to-beam ratios, uniformity and spacing. Light engines are available in 3000 K (70 CRI min.), 4000 K (70 CRI min.) or 5000 K (70 CRI min.) configurations. Optional visors offer additional versatility.

ELECTRICAL

Light engines consist of chip-on-board (COB) LEDs directly coupled to the housing to maximize heat dissipation and promote long life (100,000 hrs, L80). Class 1 electronic driver has a power factor >90%, THD <20%, and has an expected life of 100,000 hours with <1% failure rate. Surge protection meets a minimum Category C Low operation (per ANSI/IEEE C62.41.2).

INSTALLATION

Integral adjustable knuckle with 3/4-14 NPT threaded pipe, or yoke mounting, facilitates quick and easy installation to a variety of mounting accessories. This secure connection enables the D-Series Size 3 to withstand up to a 1.5 G vibration load rating per ANSI C136.31.

LISTINGS

CSA certified to U.S. and Canadian standards. Luminaire is IP66 rated. Rated for -40°C minimum ambient.

DesignLights Consortium® (DLC) qualified product. Not all versions of this product may be DLC qualified. Please check the DLC Qualified Products List at www.designlights.org to confirm which versions are qualified.

WARRANTY

5-year limited warranty. Complete warranty terms located at: www.acuitybrands.com/CustomerResources/Terms_and_conditions.aspx.

Note: Actual performance may differ as a result of end-user environment and application. All values are design or typical values, measured under laboratory conditions at 25 °C. Specifications subject to change without notice.



Phone: 800-695-2919
 Fax: 800-211-5454
 Email: info@buyboard.com

Welcome **Elsa** [Log Off]

[Administration](#)

[RFQ](#)

[Purchase Order](#)

[Reports](#)

[Shopping Cart](#)

[Help](#)

Vendor Contract Information

[Back](#)

Search:

- All
- Vendor Discounts Only
- Catalog Pricing Only

Refine Your Search:

Vendors

Facility Solutions Group[X]

Price Range

Show all prices

Category

None Selected

Contract

None selected

Additional Searches:

[Search by Vendor](#)

[Browse Contracts](#)

Additional Resources

Vendor Name: Facility Solutions Group

Address: 2525 Walnut Hill Lane

Dallas, TX 75229

Phone Number: (214) 217-0190

Email: daniel.mclaughlin@fsgi.com

Website: <http://www.fsgconnect.com>

Federal ID: 74-2942838

Contact: Dan McLaughlin

Accepts RFQs: Yes

Minority Owned: No

Women Owned: No

Service-Disabled Veteran Owned: No

EDGAR: No

Contract Name: Parks & Recreation Equipment, Field Lighting Products & Installation

Contract#: 423-13

Effective Date: 10/01/2013

Expiration Date: 09/30/2016

Payment Terms: Net 30 days

Delivery Days: 70

Shipping Terms: Pre-paid and added to invoice

Freight Terms: FOB Destination

Ship Via: Common Carrier

Region Served: All Texas Regions

States Served: All States

Additional Info: See Extended Exceptions for dealer list.

Quote Reference Number: 423-13

Return Policy: No returns on special orders

Additional Dealers: San Antonio TX, Shawnee KS, Placenta CA, Perth Amboy NJ, Denver CO, Albuquerque NM, Phoenix AZ, Dallas TX, Houston TX, Corpus Christi TX, Ft. Worth TX, Bensenville IL, Indianapolis IN

Contract Documents

EDGAR Notice: [Click to view EDGAR Notice](#)

Proposal Documents: [Click to view BuyBoard Proposal Documents](#)

Regulatory Notice: [Click to view Bonding Regulatory Notice](#)

Construction Services Advisory: [Click to view the Construction Related Goods and Services Advisory](#)

Extended Exceptions: [Click to view Vendor Extended Exceptions Documents](#)

Contact us 800-695-2919



Phone: 800-695-2919
Fax: 800-211-5454
Email: info@buyboard.com

Welcome **Elsa** [Log Off]

[Administration](#) | [RFQ](#) | [Purchase Order](#) | [Reports](#) | [Shopping Cart](#) | [Help](#)

Vendor Contract Information

[Back](#)

Search:

- All
- Vendor Discounts Only
- Catalog Pricing Only

Refine Your Search:

Vendors

Facility Solutions Group[X]

Price Range

Show all prices

Category

None Selected

Contract

None selected

Additional Searches:

[Search by Vendor](#)

[Browse Contracts](#)

Additional Resources

Vendor Name: Facility Solutions Group
Address: 2525 Walnut Hill Lane
 Dallas, TX 75229
Phone Number: (214) 217-0190
Email: daniel.mclaughlin@fsg.com
Website: <http://www.fsgconnect.com>
Federal ID: 74-2942838
Contact: Dan McLaughlin
Accepts RFQs: Yes
Minority Owned: No
Women Owned: No
Service-Disabled Veteran Owned: No
EDGAR: No
Contract Name: Outdoor Street Lighting
Contract#: 456-14
Effective Date: 09/01/2014
Expiration Date: 08/31/2017
Payment Terms: Net 30 days
Delivery Days: 45
Shipping Terms: Pre-paid and added to invoice
Freight Terms: FOB Destination
Ship Via: Common Carrier
Region Served: All Texas Regions
States Served: All States
Quote Reference Number: 456-14
Return Policy: 30 days on items not installed, manufacturers restocking fee.
Additional Dealers: See Extended Exceptions

Contract Documents

- EDGAR Notice:** [Click to view EDGAR Notice](#)
- Proposal Documents:** [Click to view BuyBoard Proposal Documents](#)
- Regulatory Notice:** [Click to view Bonding Regulatory Notice](#)
- Construction Services Advisory:** [Click to view the Construction Related Goods and Services Advisory](#)
- Extended Exceptions:** [Click to view Vendor Extended Exceptions Documents](#)

Contact us 800-695-2919



Phone: 800-695-2919
Fax: 800-211-5454
Email: info@buyboard.com

Welcome **Elsa** [Log Off]

Administration

RFQ

Purchase Order

Reports

Shopping Cart

Help

Vendor Contract Information

[Back](#)

Search:

- All
- Vendor Discounts Only
- Catalog Pricing Only

Refine Your Search:

Vendors

Facility Solutions Group[X]

Price Range

Show all prices

Category

None Selected

Contract

None selected

Additional Searches:

[Search by Vendor](#)

[Browse Contracts](#)

Additional Resources

Vendor Name: Facility Solutions Group
Address: 2525 Walnut Hill Lane
 Dallas, TX 75229
Phone Number: (214) 217-0190
Email: daniel.mclaughlin@fsgi.com
Website: <http://www.fsgconnect.com>
Federal ID: 74-2942838
Contact: Dan McLaughlin
Accepts RFQs: Yes
Minority Owned: No
Women Owned: No
Service-Disabled Veteran Owned: No
EDGAR: No
Contract Name: Energy Saving Lighting Products
Contract#: 437-13
Effective Date: 04/01/2014
Expiration Date: 03/31/2017
Payment Terms: Net 30 days
Delivery Days: 10
Shipping Terms: Pre-paid and added to invoice
Freight Terms: FOB Destination
Ship Via: Common Carrier
Region Served: All Texas Regions
States Served: All States
Quote Reference Number: 437-13
Return Policy: 30 days provided electronics have not been installed. All returns are subject to manufacturer restocking fee.
Additional Dealers: Facility Solutions Group in: Indianapolis IN, San Antonio TX, Shawnee OK, Placentia CA, Pt Amboy NJ, Denver CO, Albuquerque NM, Phoenix AZ, El Paso TX, New York NY, Woburn MA, Dallas TX, Houston TX, Ft. Worth TX, Bensenville IL

Contract Documents

EDGAR Notice: [Click to view EDGAR Notice](#)

Proposal Documents: [Click to view BuyBoard Proposal Documents](#)

Regulatory Notice: [Click to view Bonding Regulatory Notice](#)

Construction Services Advisory: [Click to view the Construction Related Goods and Services Advisory](#)

Contact us 800-695-2919